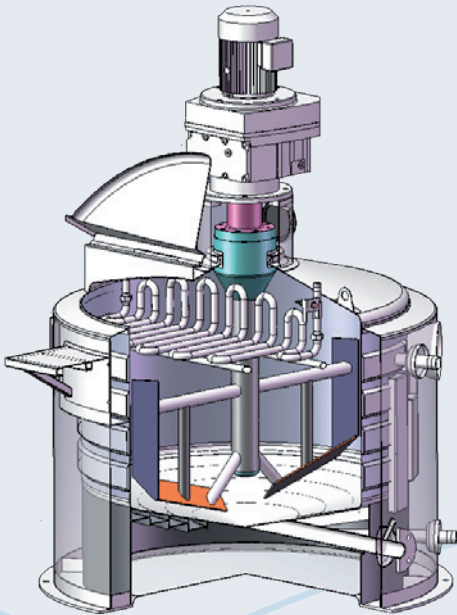
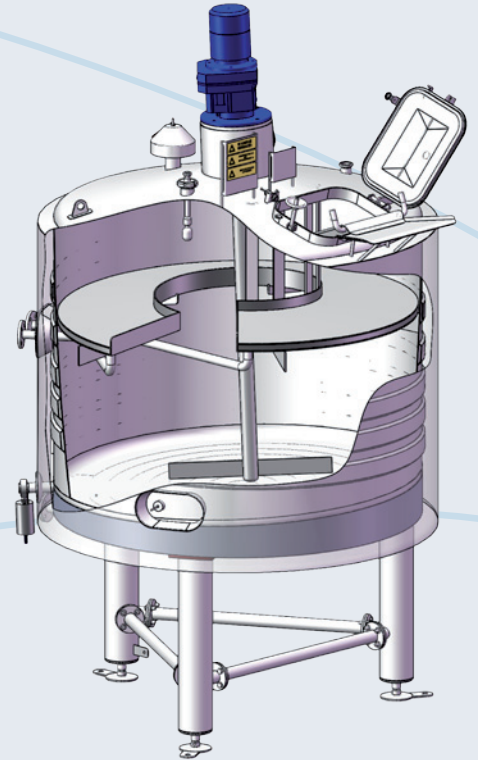


Melting and mixing of fats and oils

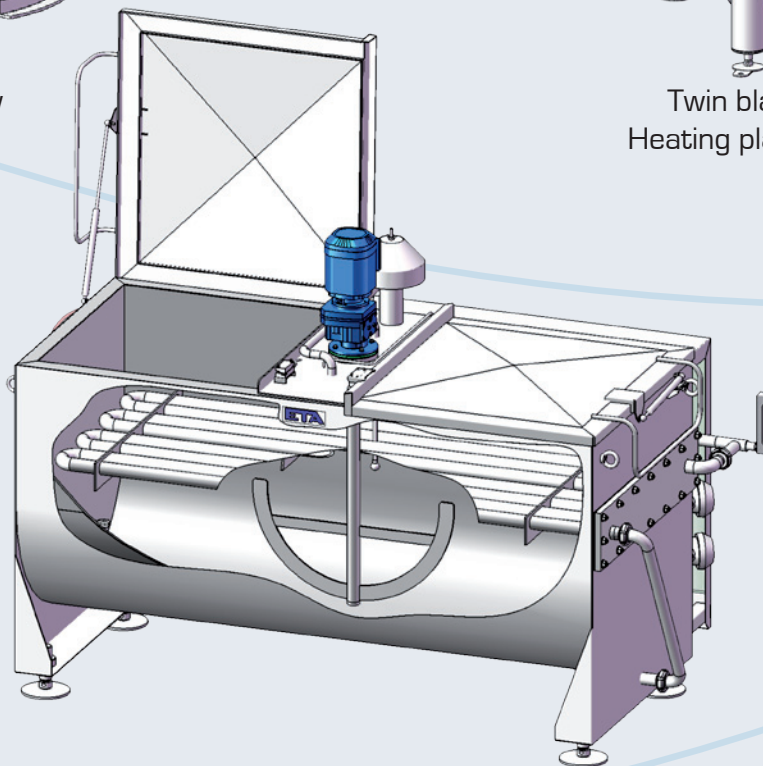
# Melting Tanks



Mixing with proximity  
scrapers



Twin bladed mixing  
Heating plate for melting



Heating grill and heat exchanger with regulated heating circuit  
Control cabinet to manage heating, mixing and integrated washing