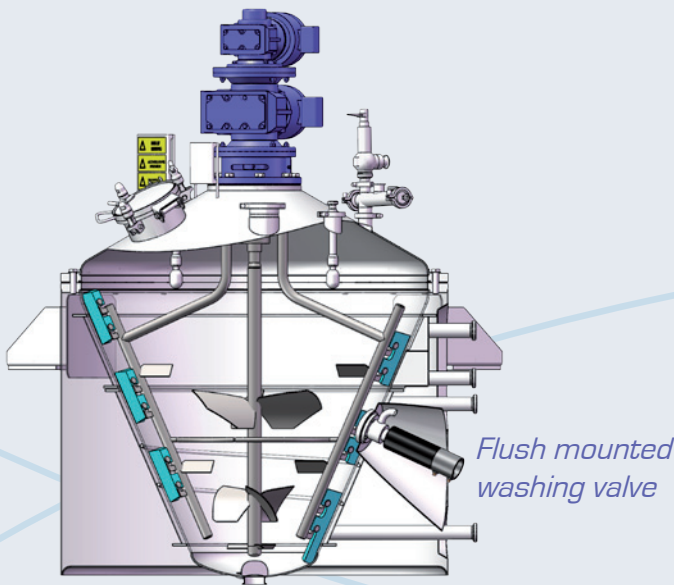


Preparing · Mixing · Cooking  
Desserts · Ketchup · Soups · Purees · Sauces

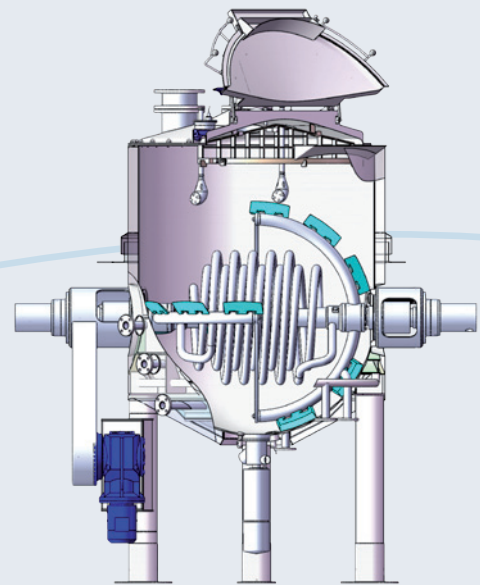
# Cooking Mixers

Atmosphéric · Positive or Vaccum Pressure

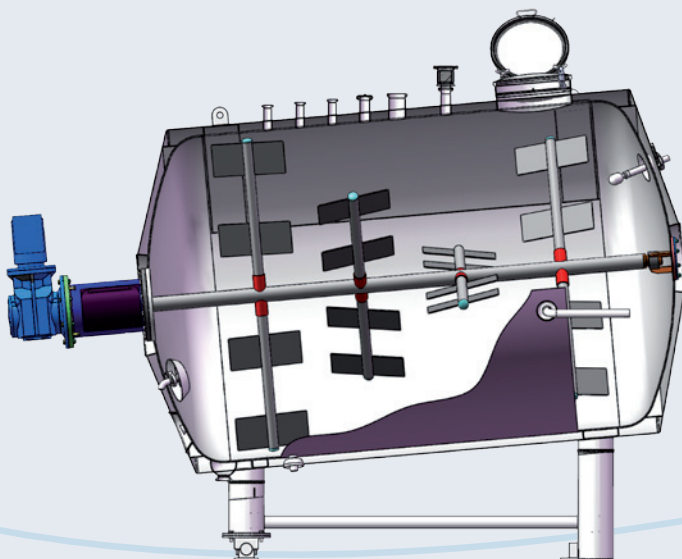
**Integrated CIP:** the goal of ETA is easy cleaning of the tank and its accessories



500 litre cooker for cream desserts  
Double movement mixing system with Teflon® scrapers



2000 litre tank for mixing vegetables  
Horizontal agitation  
2 arms with Teflon® scrapers



7500 litre soups cooker  
Horizontal agitation  
Heat exchanger