

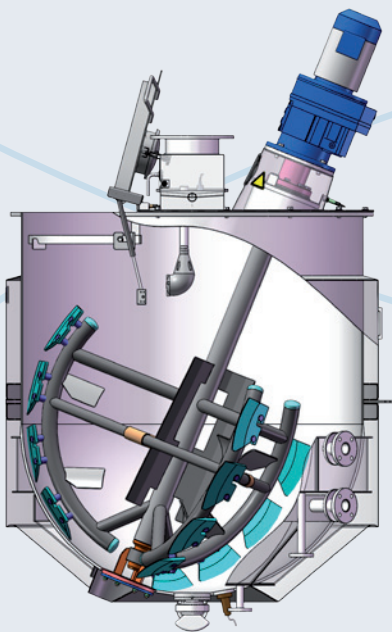
Thawing · Mixing · Cooking · Concentrating  
Jams · Fruits on sugar · Fruit puree · Concentrates

# Cooking Mixers

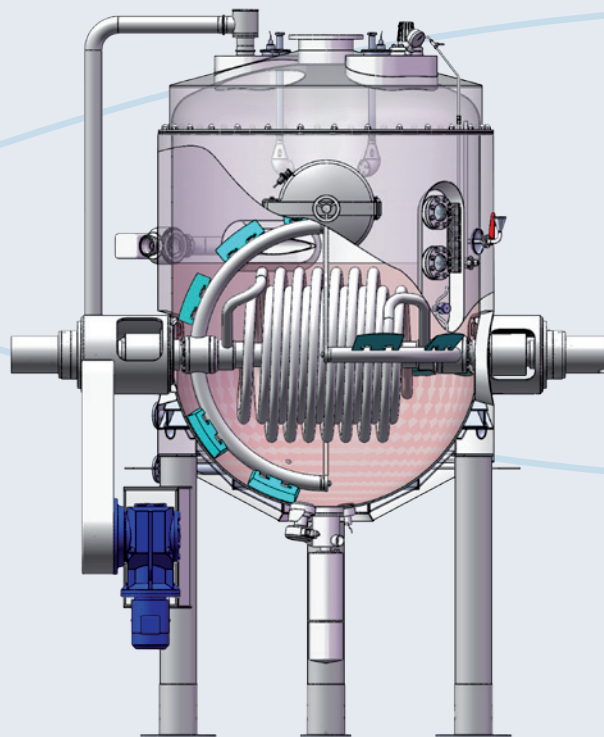
Atmospheric · Positive or Vacuum Pressure

Insulated cookers with steam heat exchanger

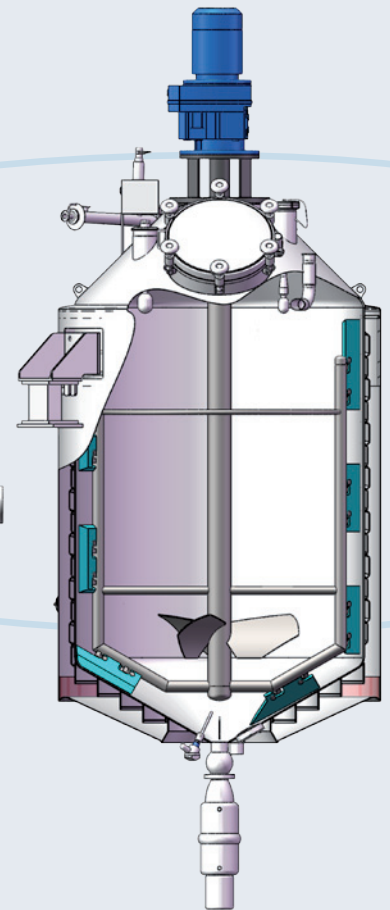
**Integrated CIP:** the goal of ETA is easy cleaning of the tank and its accessories



1800 litres for fruits on sugar  
3 arms with Teflon® scrapers



2500 litre jam cooking sphere  
Horizontal agitation with Teflon® scrapers  
Steam coils



2000 litres for fruit purees  
Single agitator with Teflon® scrapers